

# BILLET TRIM TABS

Electronic and Mechanical

**750  
Performance**



**850  
Military**



- Performance Boats • Center Consoles • Cruisers •
- Workboats • Military/Government Boats •



**950  
Mercury Replacement**



**1050  
Performance**

# Livorsi Billet Trim Tabs

- Tabs are CNC machined from billet aluminum, no casting
- Tabs are mil-spec hard coat anodized to prevent corrosion
- For use boats 20 - 50 feet
- Choose between LED electronic position indicators (plug and play) or mechanical position indicators (uses 33C cables)
- Bolt patterns include Mercury or a smaller Livorsi bolt pattern
- All hinge pins and hardware are stainless steel
- Adjust transom angles with out the use of special tools
- Hydraulic cylinders designed for 1500 PSI working pressure with dual seals, cylinders may be serviced
- Four anodes for complete saltwater protection
- Stainless steel braided hoses are purchased separately, see back page

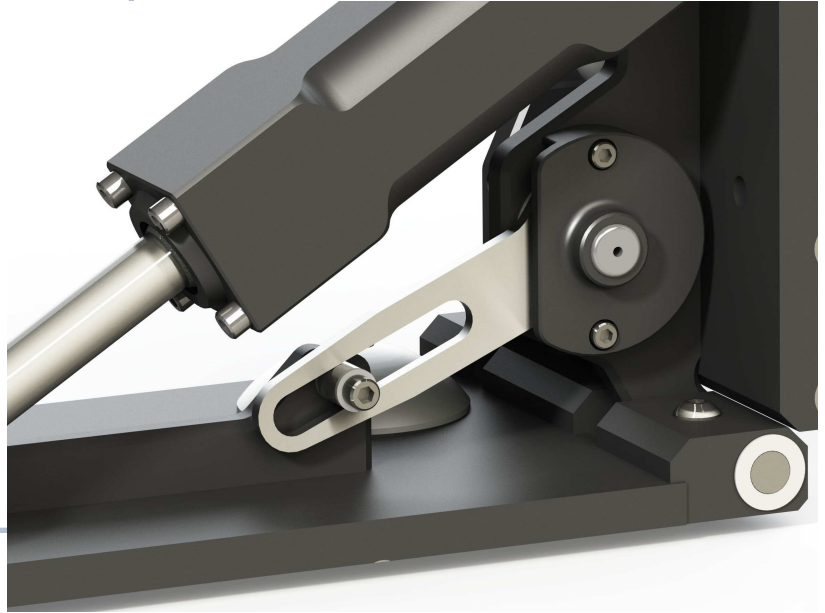
<b>750 Performance</b>	
TTK750ML	Mechanical cable Livorsi Transom Plate 16X10"
TTK750MM	Mechanical cable Merc Transom Plate 16X10"
TTK750EL	Electric Trim Livorsi Transom Plate 16X10"
TTK750EM	Electric Trim Merc Transom Plate 16X10"

<b>850 Military</b>	
TTK850ML	Mechanical cable Livorsi Transom Plate 16X14"
TTK850EL	Electric Trim Livorsi Transom Plate 16X14"

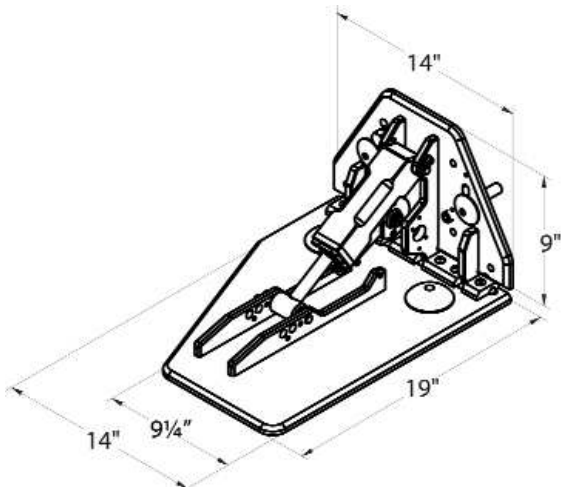
NOTE: Add "24" at end of any of these part numbers listed to order trim tabs to be used on 24V systems.

**Electronic IP68 Sensor  
plugs directly to Livorsi's  
LED Position Indicator**

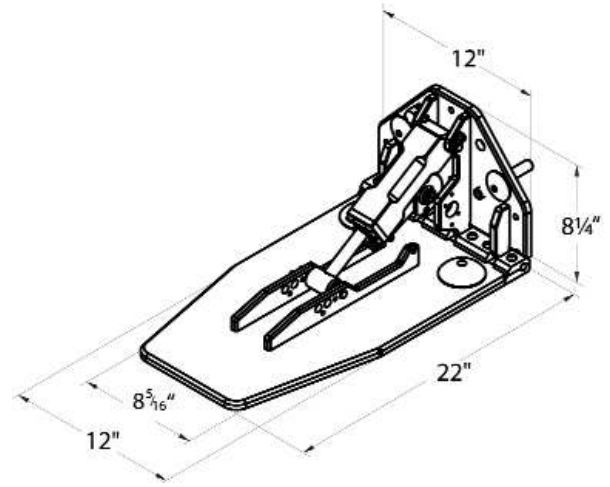
**Compatible with  
NMEA 2000® compliant systems  
or Mercury VesselView® 7**



<b>950 Mercury Replacement for 280S</b>	
TTK950ML	Mechanical cable Livorsi Transom Plate 20X9"
TTK950MM	Mechanical cable Merc Transom Plate 20X9"
TTK950EL	Electric Trim Livorsi Transom Plate 20X9"
TTK950EM	Electric Trim Merc Transom Plate 20X9"



<b>1050 Performance</b>	
TTK1050ML	Mechanical cable Livorsi Transom Plate 22X10"
TTK1050MM	Mechanical cable Merc Transom Plate 22X10"
TTK1050EL	Electric Trim Livorsi Transom Plate 22X10"
TTK1050EM	Electric Trim Merc Transom Plate 22X10"



### Trim Tab Kits include:

- **Billet tabs**
- **Two pumps**
- **Mounting hardware**
- **Harnesses**
- **Thru hull fittings**

Stainless steel braided hoses are purchased separately. Four hoses are needed for one kit - two per cylinder. Please specify length of hoses when ordering.

SS Braided Hoses	
SBH3	3 feet in length
SBH4	4 feet in length
SBH5	5 feet in length
SBH6	6 feet in length

## Position Indicators

### Mechanical

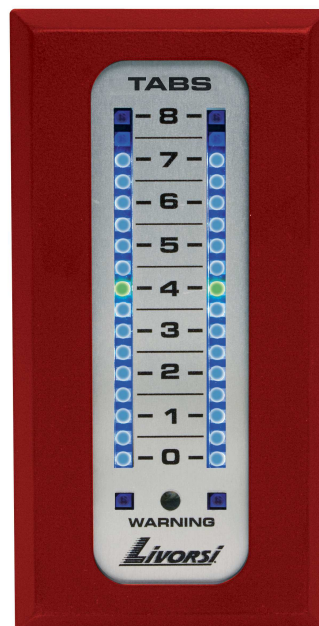
Reads position of trim tabs with the use of 33C cables



### Electronic

These indicators are capable of reading CAN Bus protocols such as SmartCraft® (with Gateway), NMEA 2000® and J1939.

Reads position of trim tabs with the use of electronic sensors.



For more information on indicators please visit [www.livorsi.com](http://www.livorsi.com)